

# PRODUCT INFORMATION PACKET



Model No: 132561.00

Catalog No: 132561.00

7.50 HP General Purpose Motor, 3 phase, 3600 RPM, 230/460 V, 184TC Frame, TEFC  
Three Phase TEFC Motors



Regal and Leeson are trademarks of Regal Beloit Corporation or one of its affiliated companies.  
©2020 Regal Beloit Corporation, All Rights Reserved. MC017097E

The Regal logo is the word "REGAL" in a bold, white, sans-serif font, set against a dark grey, trapezoidal background. The background of the entire page features a vertical blue gradient with a halftone dot pattern on the right side.

REGAL



### Nameplate Specifications

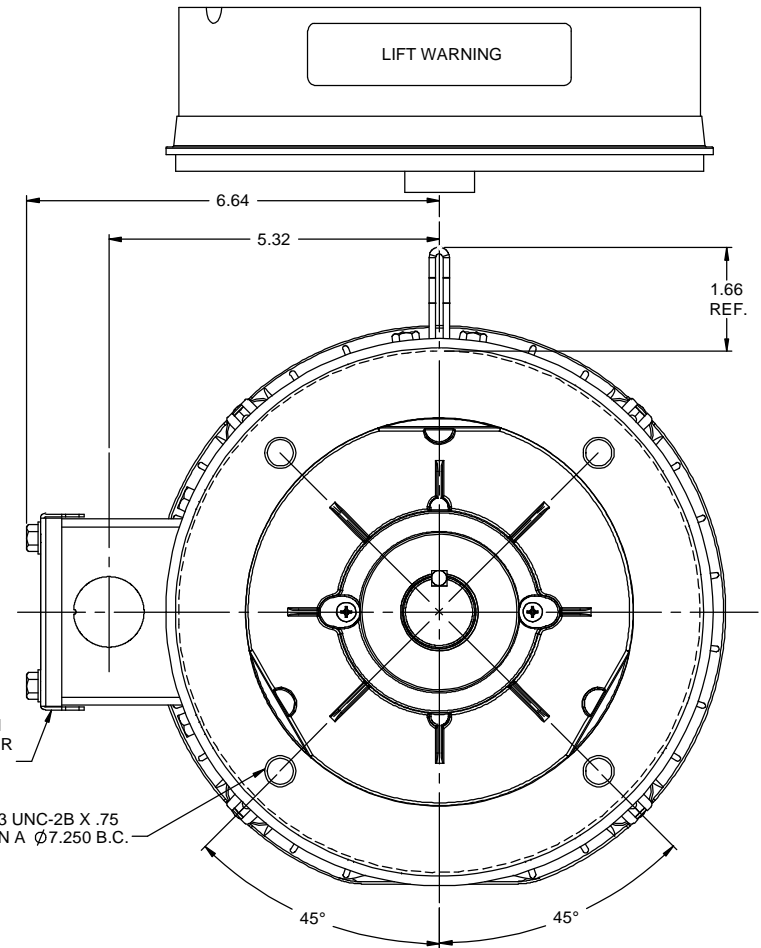
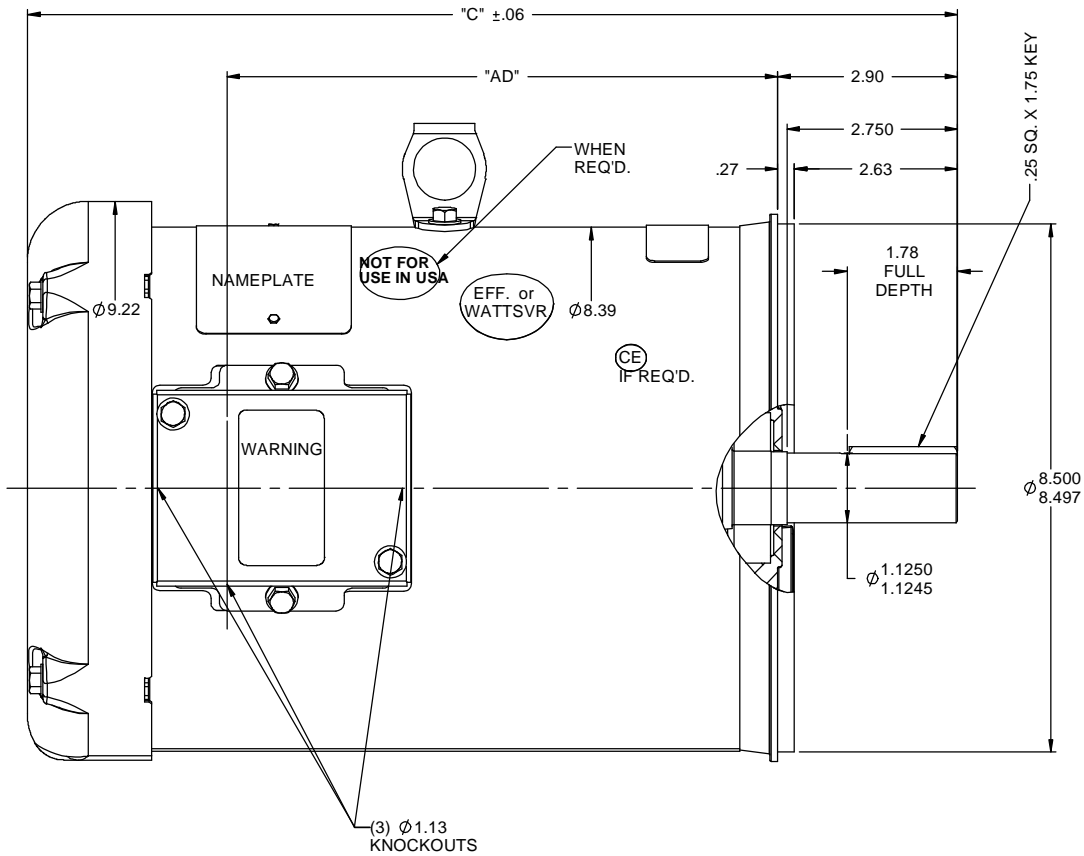
Output HP	7.50 Hp	Output KW	5.6 kW
Frequency	60 Hz	Voltage	230/460 V
Current	17.6/8.8 A	Speed	3500 rpm
Service Factor	1	Phase	3
Efficiency	89.5 %	Power Factor	88.5
Duty	Continuous	Insulation Class	F
Design Code	B	KVA Code	L
Frame	184TC	Enclosure	Totally Enclosed Fan Cooled
Thermal Protection	No	Ambient Temperature	40 °C
Drive End Bearing Size	6206	Opp Drive End Bearing Size	6205
UL	Recognized	CSA	Y
CE	Y	IP Code	43

### Technical Specifications

Electrical Type	Squirrel Cage Induction Run	Starting Method	Across The Line
Poles	2	Rotation	Reversible
Resistance Main	1.3 Ohms	Mounting	Round
Motor Orientation	Horizontal	Drive End Bearing	Ball
Opp Drive End Bearing	Ball	Frame Material	Rolled Steel
Shaft Type	T	Overall Length	15.97 in
Frame Length	10.50 in	Shaft Diameter	1.125 in
Shaft Extension	2.75 in	Assembly/Box Mounting	F1/F2 CAPABLE
Connection Drawing	005010.01	Outline Drawing	035518-1050

This is an uncontrolled document once printed or downloaded and is subject to change without notice. Date Created:27/05/2020

RBC PROPRIETARY AND CONFIDENTIAL INFORMATION  
 This document is the property of REGAL BELOIT CORPORATION ("RBC") including its subsidiaries and divisions and contains proprietary information of RBC. This document is loaned on the express condition that neither it nor the information contained therein shall be disclosed to others without the express written consent of RBC, and that the information shall be used by the recipient only as approved expressly by RBC. This document shall be returned to RBC upon its request. This document may be subject to certain restrictions under U.S. export control laws and regulations.



GASKETS THROUGHOUT  
 MAXIMUM FACE RUNOUT TO BE .004 T.I.R.  
 MAXIMUM PILOT ECCENTRICITY TO BE .004 T.I.R.  
 PERMISSIBLE SHAFT RUNOUT TO BE .002 T.I.R.

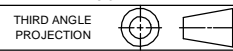
DASH NO.	"C"	"AD"
750	12.97	6.88
800	13.47	7.38
850	13.97	7.88
900	14.47	8.38
950	14.97	8.88
1000	15.47	9.38
1050	15.97	9.88
1100	16.47	10.38
1150	16.97	10.88

NO		REVISION	BY & DATE	CHK	LANG	±1/2°	FINISH	PREV	SIZE	DRAWING NO	REV
		UPDATED & REDRAWN IN SOLIDWORKS	LST 12/17/2009	XX	XXX	±.0005	GENERAL PURPOSE		B	035518	-



TOLERANCES UNLESS SPECIFIED  
 DEC INCHES  
 X ±.1  
 XX ±.03  
 XXX ±.005  
 XXXX ±.0005  
 TITLE OUTLINE - 180TC FRAME  
 TEFC - "C" FACE  
 MATL GENERAL PURPOSE

DRAWN RDW 4/18/07  
 CHK  
 APPR SW 4/18/07  
 SCALE 1:2  
 REF 035452  
 FMF  
 PAGE OF



005010-01

VIEW FROM OUTSIDE OF MOTOR AT SWITCH END.



VOLTAGE	L1	L2	L3	JOIN & INSULATE
HIGH	T1	T2	T3	(T4,T7) (T5,T8) (T6,T9)
LOW	T1,T7	T2,T8	T3,T9	T4,T5,T6

				TOLERANCES UNLESS SPECIFIED		<b>Regal Beloit America, Inc.</b>		DRAWN RDW 04/12/02				
				DEC.	INCHES			CHK				
				.X	±.1			APPD				
				.XX	±.01			SCALE 1=1				
				.XXX	±.005	TITLE		REF FIG.2-51				
A	UPDATED TO REGAL LOGO			SAJ	06/26/15	AJY	.XXXX	±.0005	MAT'L. DECAL - 004014	FMF		
NO.	REVISION			BY & DATE	CHK	ANG	±1/2"	FINISH	PREV			
THIS DRAWING IN DESIGN AND DETAIL IS OUR PROPERTY AND MUST NOT BE USED EXCEPT IN CONNECTION WITH OUR WORK ALL RIGHTS OF DESIGN AND INVENTION ARE RESERVED THIS IS AN ELECTRONICALLY GENERATED DOCUMENT - DO NOT SCALE THIS PRINT				RFP	04/12/02		CAD FILE	00501001		SIZE	DRAWING NO.	REV.
				DIST	BRF-NLV				A	005010-01		A